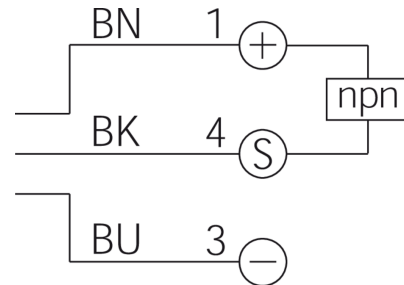
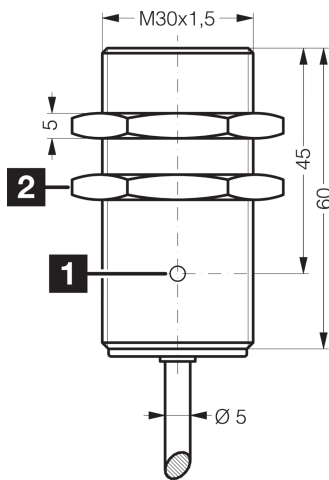




202402
DCC 30 M 22 NOLK
Inductive proximity sensor

- Highly flexible cable
- Integrated amplifier
- Short-circuit protection
- Starting pulse suppression
- LED



1) LED

2) Width over flats 36 mm

BK: black

BN: brown

BU: blue

Function



Technical data (typ.)

+20°C, 24 V DC

Service voltage	10 ... 30 V DC
Internal power consumption	< 10 mA
Insulation voltage endurance	500 V
Installation type	quasi-flush
Thread	M30 x 1.5
Housing length	60 mm
Housing material	Brass (chromium-plated)
Material of cable	PVC
Protection class	III, operation on protective low voltage
Operating principle	inductive
Evaluation	digital
Design	Thread
Characteristics	extremely high operating distance
Product series	INE Extended
Switching output	npn, 200 mA, NC
Voltage drop (max.)	2 V (200 mA)
Switching distance (SN)	22 mm
Standardized measuring plate	66 x 66 x 1 mm
Switching hysteresis (max.)	3 ... 15 %
Switching frequency	200 Hz



202402
DCC 30 M 22 NOLK
Inductive proximity sensor

Technical data (typ.)

+20°C, 24 V DC

Ambient temperature during operation

-25 ... +70 °C

Protection type

IP 67

Connection

Cable, 2.0 m (flying leads)

More information / accessories

<https://www.di-soric.com/202402>