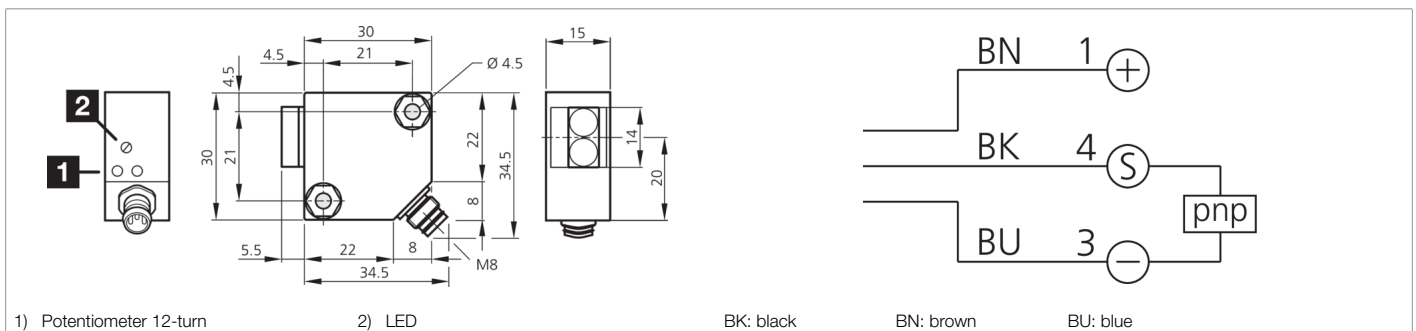
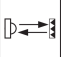





201483
ORV 30 K 2000 P1K-TSSL
Retroreflective sensor

- Compact design
- Red light
- 12-turn potentiometer
- Sensitivity adjustable, large operating distance
- Polarization filter



Function										
										 

Technical data (typ.)	+20°C, 24 V DC
Service voltage	10 ... 36 V DC
No-load current (max.)	15 mA
Insulation voltage endurance	500 V
Housing dimensions	30 x 30 x 15 mm
Housing length	30 mm
Housing height	30 mm
Housing width	15 mm
Housing material	Plastic (PBT)
Material	Glass (Window)
Protection class	III, operation on protective low voltage
Operating principle	Retroreflective sensor
Evaluation	digital
Design	Cuboid design
Characteristics	Integrated polarization filter
Switching output	pnp, 200 mA, NC
Voltage drop (max.)	2 V
Light source	LED
Color	Red
Wavelength	660 nm
Modulation	Clocked
Ambient light immunity	10 kLx
Range	200 ... 2000 mm
Referring reflector	Ø 84 mm, R 84
Switching hysteresis (max.)	10 %
Sensitivity adjustment	Potentiometer (12-turn)
Switching frequency	1000 Hz



201483
ORV 30 K 2000 P1K-TSSL
Retroreflective sensor

Technical data (typ.)	+20°C, 24 V DC
Response time	0.50 ms
Release time	0.50 ms
Ambient temperature during operation	-25 ... +55 °C
Protection type	IP 67
Connection	Connector, M8, 3-pin
Connection cable	TK ...
More information / accessories	https://www.di-soric.com/201483