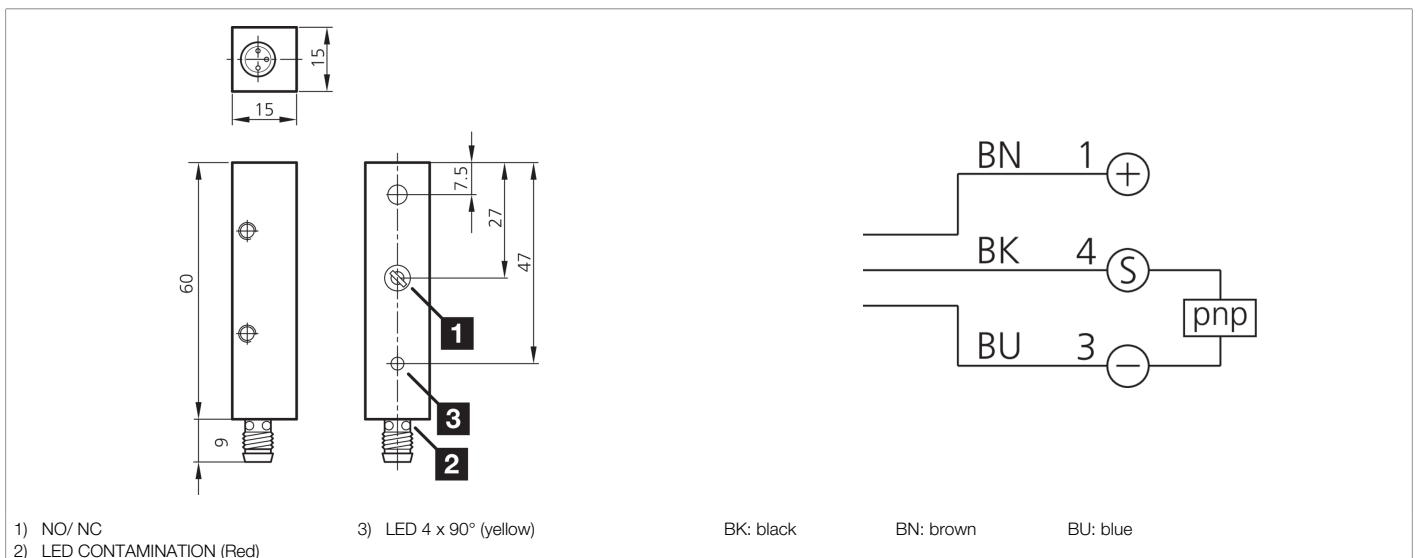




**201429**  
**OLE Q15 V 2000 P3K-TSSL**  
**Laser through-beam sensor, receiver**

- Compact design
- High resolution, switching accuracy, switching frequency
- Robust metal housing



Function												
											CE	

Technical data (typ.)		+20°C, 24 V DC
Service voltage		15 ... 28 V DC
No-load current (max.)		24 mA
Housing dimensions		15 x 15 x 60 mm
Housing length		15 mm
Housing height		15 mm
Housing width		60 mm
Housing material		Brass (CuZn, nickel-plated)
Material		Glass (Window)
Protection class		III, operation on protective low voltage
Component		Laser through-beam sensor, receiver
Operating principle		Through-beam sensor
Evaluation		digital
Design		Cuboid design
Consisting of		Receiver
Switching output		pnp, 200 mA, NO/NC, switchable
Ambient light immunity		20 kLx
Range		0 ... 2000 mm
Resolution		Ø 0.3 mm
Sensitivity adjustment		no setting elements

 **201429****OLE Q15 V 2000 P3K-TSSL****Laser through-beam sensor, receiver**

<b>Technical data (typ.)</b>	<b>+20°C, 24 V DC</b>
Switching frequency	1200 Hz
Ambient temperature during operation	+5 ... +45 °C
Protection type	IP 67
Connection	Connector, M8, 3-pin
Connection cable	TK ...
<b>More information / accessories</b>	<b><a href="https://www.di-soric.com/201429">https://www.di-soric.com/201429</a></b>