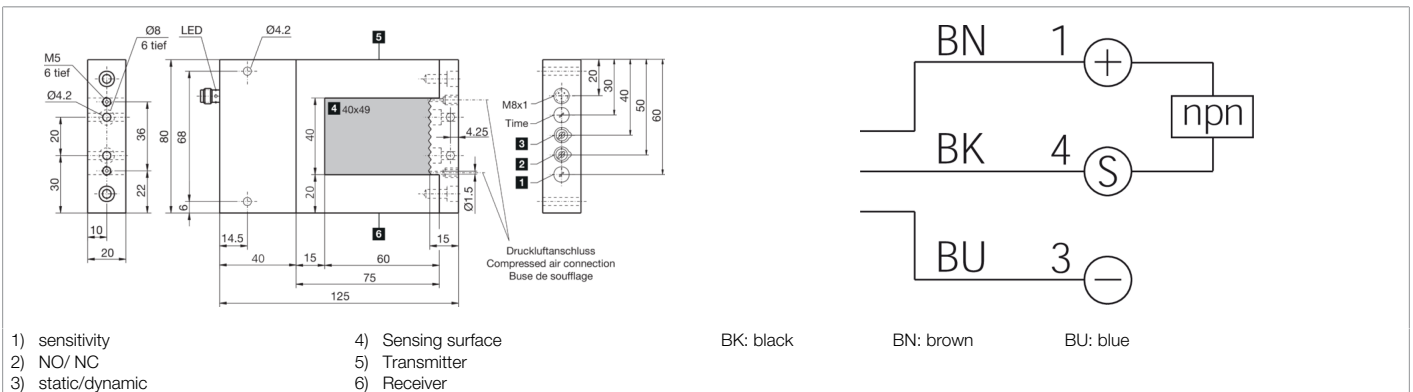




201411
OGWSD 4055 N3K-TSSL
Frame light barrier

- Baffle protection at the optics
- Metal potentiometer
- Cross bar, removable
- Air nozzle for the optics
- NO/NC, switchable
- Variable operating principle: dynamic or static
- Sensitivity adjustment
- Pulse stretching adjustable
- High resolution
- Short response time



| Function | | | | | | | | | | | | |
|----------|--|--|--|--|--|--|--|--|--|--|--|--|
| | | | | | | | | | | | | |

| Technical data (typ.) | +20°C, 24 V DC |
|--------------------------------------|--|
| Service voltage | 18 ... 35 V DC |
| No-load current (max.) | 30 mA |
| Insulation voltage endurance | 500 V |
| Housing material | Aluminum (Black, Anodized) |
| Protection class | III, operation on protective low voltage |
| Operating principle | Optical |
| Evaluation | digital, Dynamic/static switchable |
| Switching output | npn, 200 mA, NO/NC, switchable |
| Voltage drop (max.) | 2.5 V |
| Pulse stretching | 0.1 ... 150 ms adjustable |
| Light source | LED |
| Color | Infrared |
| Wavelength | 940 nm |
| Modulation | Clocked |
| Ambient light immunity | 20 kLx |
| Detection range | 40 x 49 mm |
| Resolution | Ø 0.7 mm (dynamic), Ø 1.0 mm (static) |
| Sensitivity adjustment | Potentiometer |
| Response time | 0.10 ms |
| Release time | 0.10 ... 150 ms |
| Ambient temperature during operation | 0 ... +60 °C |
| Protection type | IP 67 |
| Connection | Connector, M8, 3-pin |
| Connection cable | TK ... |



201411
OGWSD 4055 N3K-TSSL
Frame light barrier

[More information / accessories](#)

<https://www.di-soric.com/201411>