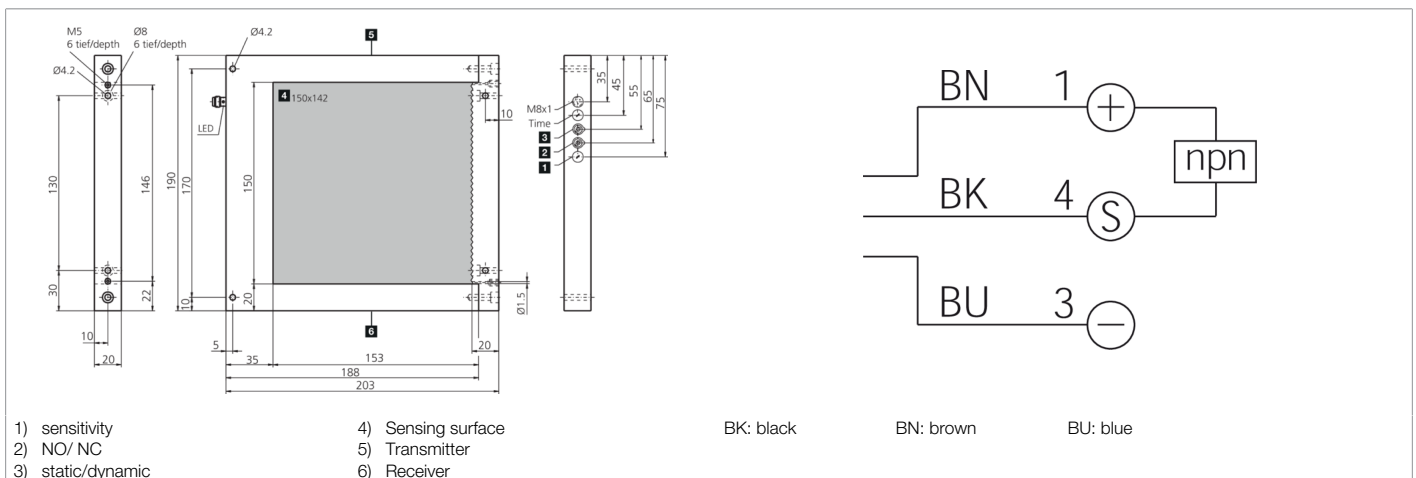




201404 OGWSD 150 N3K-TSSL Frame light barrier

- Baffle protection at the optics
- Metal potentiometer
- Cross bar, removable
- Air nozzle for the optics
- NO/NC, switchable
- Variable operating principle: dynamic or static
- Sensitivity adjustment
- Pulse stretching adjustable
- High resolution
- Short response time



Function										

Technical data (typ.)		+20°C, 24 V DC
Service voltage		18 ... 35 V DC
No-load current (max.)		45 mA
Insulation voltage endurance		500 V
Housing material		Aluminum (Black, Anodized)
Protection class		III, operation on protective low voltage
Operating principle		Optical
Evaluation		digital, Dynamic/static switchable
Switching output		npn, 200 mA, NO/NC, switchable
Voltage drop (max.)		2.5 V
Pulse stretching		0.1 ... 150 ms adjustable
Light source		LED
Color		Infrared
Wavelength		940 nm
Modulation		Clocked
Ambient light immunity		20 kLx
Detection range		150 x 142 mm
Resolution		Ø 3.0 mm (dynamic), Ø 5.0 mm (static)
Sensitivity adjustment		Potentiometer
Response time		0.10 ms
Release time		0.10 ... 150 ms
Ambient temperature during operation		0 ... +60 °C
Protection type		IP 67



201404
OGWSD 150 N3K-TSSL
Frame light barrier

Technical data (typ.)	+20°C, 24 V DC
Connection	Connector, M8, 3-pin
Connection cable	TK ...
More information / accessories	https://www.di-soric.com/201404