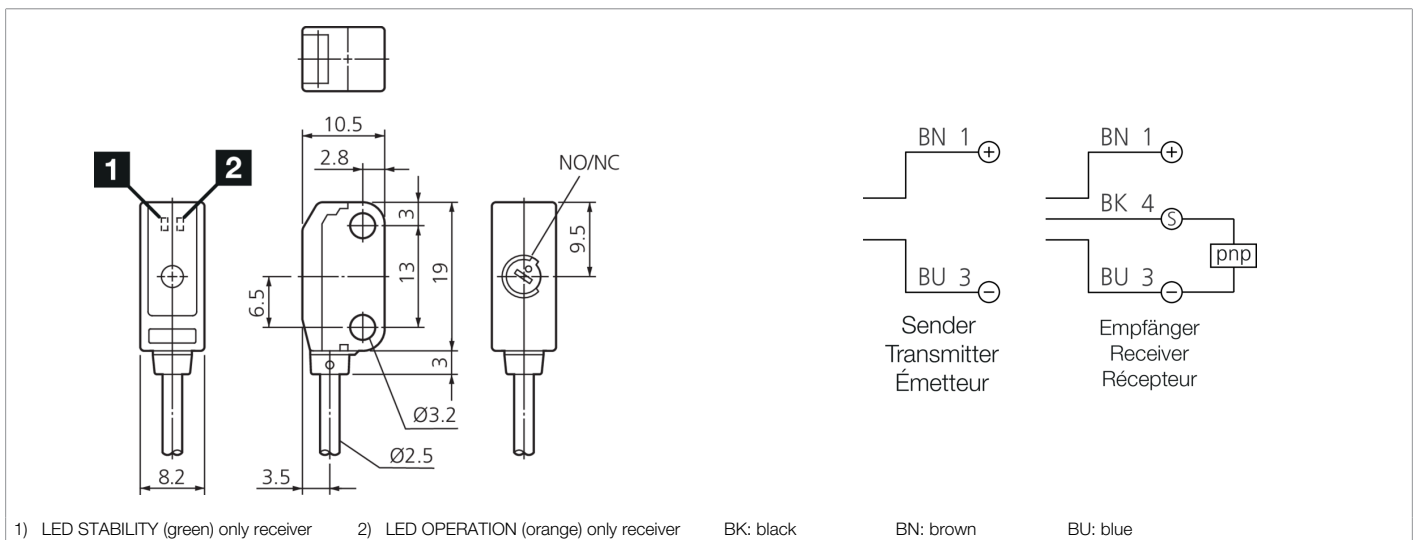




201173
OESV 19 K 2000 P3K
Through-beam sensor, transmitter / receiver

- Compact design
- Red light
- Sensitivity is adjustable
- High resolution, switching frequency



Function										

Technical data (typ.)	+20°C, 24 V DC
Service voltage	12 ... 24 V DC
No-load current (max.)	15 mA
Insulation voltage endurance	1000 V
Housing dimensions	19 x 10 x 8 mm
Housing length	10 mm
Housing height	19 mm
Housing width	8 mm
Housing material	Plastic
Material	Plastic (Window)
Protection class	III, operation on protective low voltage
Operating principle	Through-beam sensor
Evaluation	digital
Design	Cuboid design
Consisting of	Transmitter and Receiver
Switching output	pnp, 50 mA, NO/NC, switchable
Voltage drop (max.)	1 V
Light source	LED
Color	Red
Wavelength	660 nm
Modulation	Clocked



201173

OESV 19 K 2000 P3K

Through-beam sensor, transmitter / receiver

Technical data (typ.)	+20°C, 24 V DC
Ambient light immunity	3 kLx
Range	0 ... 2000 mm
Sensitivity adjustment	Potentiometer
Display	LED Green - Operation, yellow - Switching output
Switching frequency	1000 Hz
Response time	0.50 ms
Release time	0.50 ms
Ambient temperature during operation	-25 ... +55 °C
Vibration/shock resistance	10 ... 500 Hz / 1.5 mm / 10 G
Protection type	IP 67
Connection	Cable, 2.0 m (flying leads)
More information / accessories	https://www.di-soric.com/201173