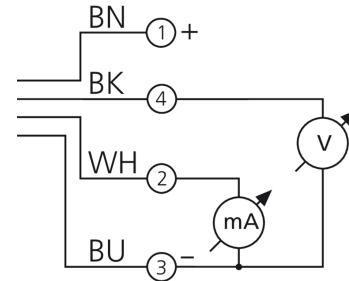
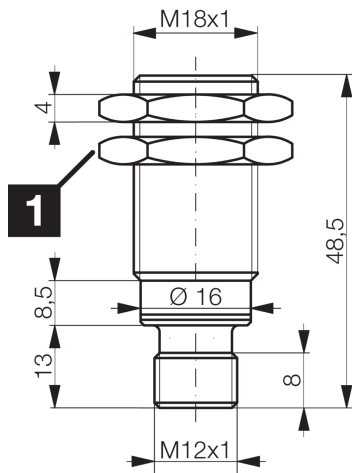




**200484**  
**DCCK 18 M 10/10 AIK-IBS**  
**Inductive proximity sensor**

- Analog voltage output
- Analog current output
- Metal connector
- Integrated amplifier
- Short-circuit protection



1) Width over flats 24 mm

BK: black

BN: brown

BU: blue

WH: white

**Function**



**Technical data (typ.)**

**+20°C, 24 V DC**

Service voltage	15 ... 30 V DC
Internal power consumption	12 mA
Insulation voltage endurance	According to IEC 60947-5-2 (7.2.3.1)
Installation type	quasi-flush
Thread	M18 x 1
Housing length	48.5 mm
Housing material	Brass (CuZn, nickel-plated)
Tightening torque (max.)	25 Nm
Protection class	III, operation on protective low voltage
Operating principle	inductive
Evaluation	analog
Design	Thread
Characteristics	extremely high operating distance
Product series	INA Analog
Analog output	0 ... 10 V, 4 ... 20 mA
Switching distance (SN)	0 ... 10 mm
Standardized measuring plate	30 x 30 x 1 mm
Switching frequency	500 Hz
Ambient temperature during operation	-25 ... +70 °C
Protection type	IP 67



200484

DCCK 18 M 10/10 AIK-IBS

Inductive proximity sensor

**Technical data (typ.)**

**+20°C, 24 V DC**

Connection

Connector, M12, 4-pin, A-coded

Connection cable

VK ...

**More information / accessories**

<https://www.di-soric.com/200484>