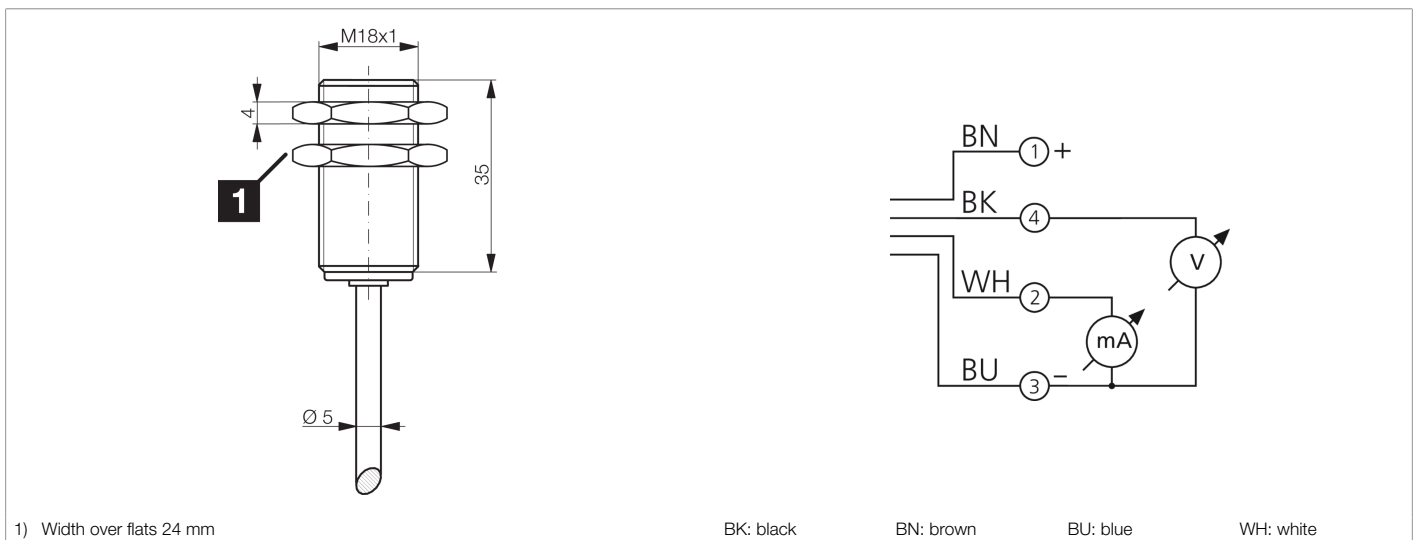




**200483**  
**DCCK 18 M 10/10 AIK**  
**Inductive proximity sensor**

- Analog voltage output
- Analog current output
- Highly flexible cable
- Integrated amplifier
- Short-circuit protection



Function										

Technical data (typ.)	+20°C, 24 V DC
Service voltage	15 ... 30 V DC
Internal power consumption	12 mA
Insulation voltage endurance	According to IEC 60947-5-2 (7.2.3.1)
Installation type	quasi-flush
Thread	M18 x 1
Housing length	36 mm
Housing material	Brass (CuZn, nickel-plated)
Material of cable	Polyurethane
Tightening torque (max.)	25 Nm
Protection class	III, operation on protective low voltage
Operating principle	inductive
Evaluation	analog
Design	Thread
Characteristics	extremely high operating distance
Product series	INA Analog
Analog output	0 ... 10 V, 4 ... 20 mA
Switching distance (SN)	0 ... 10 mm
Standardized measuring plate	30 x 30 x 1 mm
Switching frequency	500 Hz
Ambient temperature during operation	-25 ... +70 °C



**200483**  
**DCCK 18 M 10/10 AIK**  
**Inductive proximity sensor**

**Technical data (typ.)**

**+20°C, 24 V DC**

Protection type

IP 67

Connection

Cable, 2.0 m (flying leads)

**More information / accessories**

<https://www.di-soric.com/200483>