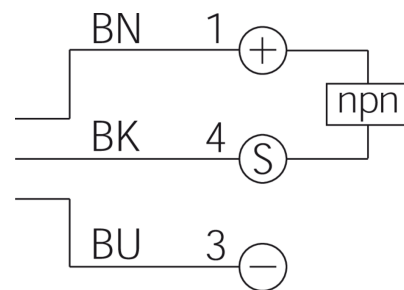
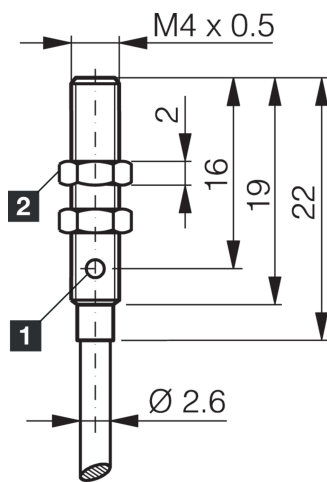


200189
DCC 04 M 0.6 NSLK
Inductive proximity sensor

- Highly flexible cable
- Integrated amplifier
- Short-circuit protection
- Starting pulse suppression
- LED



1) LED 2) Width over flats 6 mm BK: black BN: brown BU: blue


Function



Technical data (typ.)

+20°C, 24 V DC

Service voltage	10 ... 30 V DC
Internal power consumption	< 10 mA
Insulation voltage endurance	According to IEC 60947-5-2 (7.2.3.1)
Installation type	Flush
Thread	M4 x 0.5
Housing length	22 mm
Housing material	Stainless steel (V2A)
Material of cable	Polyurethane
Tightening torque (max.)	0.8 Nm
Protection class	III, operation on protective low voltage
Operating principle	inductive
Evaluation	digital
Design	Thread
Product series	INM-100 Miniature
Switching output	npn, 100 mA, NO
Voltage drop (max.)	2 V (100 mA)
Switching distance (SN)	0.6 mm
Standardized measuring plate	4 x 4 x 1 mm
Switching hysteresis (max.)	< 10 %
Switching frequency	5000 Hz



200189
DCC 04 M 0.6 NSLK
Inductive proximity sensor

Technical data (typ.)**+20°C, 24 V DC**

Ambient temperature during operation

-25 ... +70 °C

Protection type

IP 67

Connection

Cable, 2.0 m (flying leads)

More information / accessories<https://www.di-soric.com/200189>